



# Eaton County Road Commission

Jerry L. Frazier  
*Chair*

August 16, 2019

Benjamin S. Lyons  
*Vice Chair*

## **NOTICE TO BIDDERS**

Duane A. Eldred  
*Member*

Sealed proposals will be received by the Board of County Road Commissioners of the County of Eaton, Michigan at 1112 Reynolds Road, Charlotte, MI 48813, until 1:00 pm, Monday, August 26, 2019, at which time and place proposals will be publicly opened and read aloud for furnishing and delivering the following:

Timothy J. Lamoreaux  
*Member*

**SUPPLY AND DELIVER A 16.5' x 6.7' ALUMINUM BOX CULVERT TO THE ROYSTON ROAD CROSSING OF THE MILLS AND POST DRAIN BETWEEN SECTION 1 OF BROOKFIELD TOWNSHIP AND SECTION 6 OF HAMLIN TOWNSHIP, EATON COUNTY, MICHIGAN.**

Dorothy E. Maxwell  
*Member*

The bid shall consist of supplying materials that will meet a minimum HS-20 loading and meet at a minimum the Michigan Department of Transportation 2012 Standard Specifications for Construction.

Blair E. Ballou, P.E.  
*Engineer-Manager*

Specifications and further information may be obtained at the offices of the undersigned, 1112 Reynolds Road, Charlotte, MI 48813, Telephone (517) 543-1630 or (877) 883-2866.

Lori N. Friedlis, CPA  
*Director of Finance*

All proposals must be submitted in sealed envelopes bearing the name of the bidder and clearly marked with a notation indicating the service or material for which the bid is submitted.

1112 Reynolds Road  
Charlotte, MI 48813

The Board reserves the right to accept or reject any or all bids, to waive irregularities in any proposal, and to make the award in any manner deemed in the best interest of the County of Eaton.

Telephone  
517-543-1630  
Toll-Free  
877-883-2866

**BOARD OF COUNTY ROAD COMMISSIONERS  
OF THE COUNTY OF EATON, MICHIGAN**

Fax  
517-543-2608

Jerry L. Frazier, Chair  
Benjamin S. Lyons, Vice Chair  
Duane A. Eldred, Member  
Timothy J. Lamoreaux, Member  
Dorothy E. Maxwell, Member

Email  
ecrc@eatoncountyroa.com

**EATON COUNTY ROAD COMMISSION  
SPECIFICATIONS FOR CULVERT MATERIALS**

**ROYSTON ROAD CULVERT**

08-16-19

**LOCATION**

Royston Road culvert on the Mills & Post Drain in Section 1, Brookfield Township and Section 6, Hamlin Township, Eaton County, Michigan.

**DESCRIPTION**

Supply and deliver to the job site a new 16.5' span by 6.7' rise aluminum box culvert with corrugated aluminum headwalls. The culvert length shall be 54 feet.

**SPECIFICATIONS**

The materials covered by this proposal shall be in accordance with the Michigan Department of Transportation 2012 Standard Specifications for Construction, and as specified herein. The signed MDEQ permit for this installation is included in the proposal.

The box culvert shall be a 16.5' span by 6.7' rise aluminum box culvert. The culvert shall include corrugated aluminum headwalls on each end with a rise 1'-6" above the top of culvert and a toe at least 12" below the invert. The headwall shall extend 10.7' from each side of the culvert. The culvert materials shall meet MDOT requirements per section 909 of the Standard Specifications and shall be designed for HS-20 loading with a minimum 2.0' of cover and a maximum 5.0' of cover. The headwall materials shall be the same as the culvert materials.

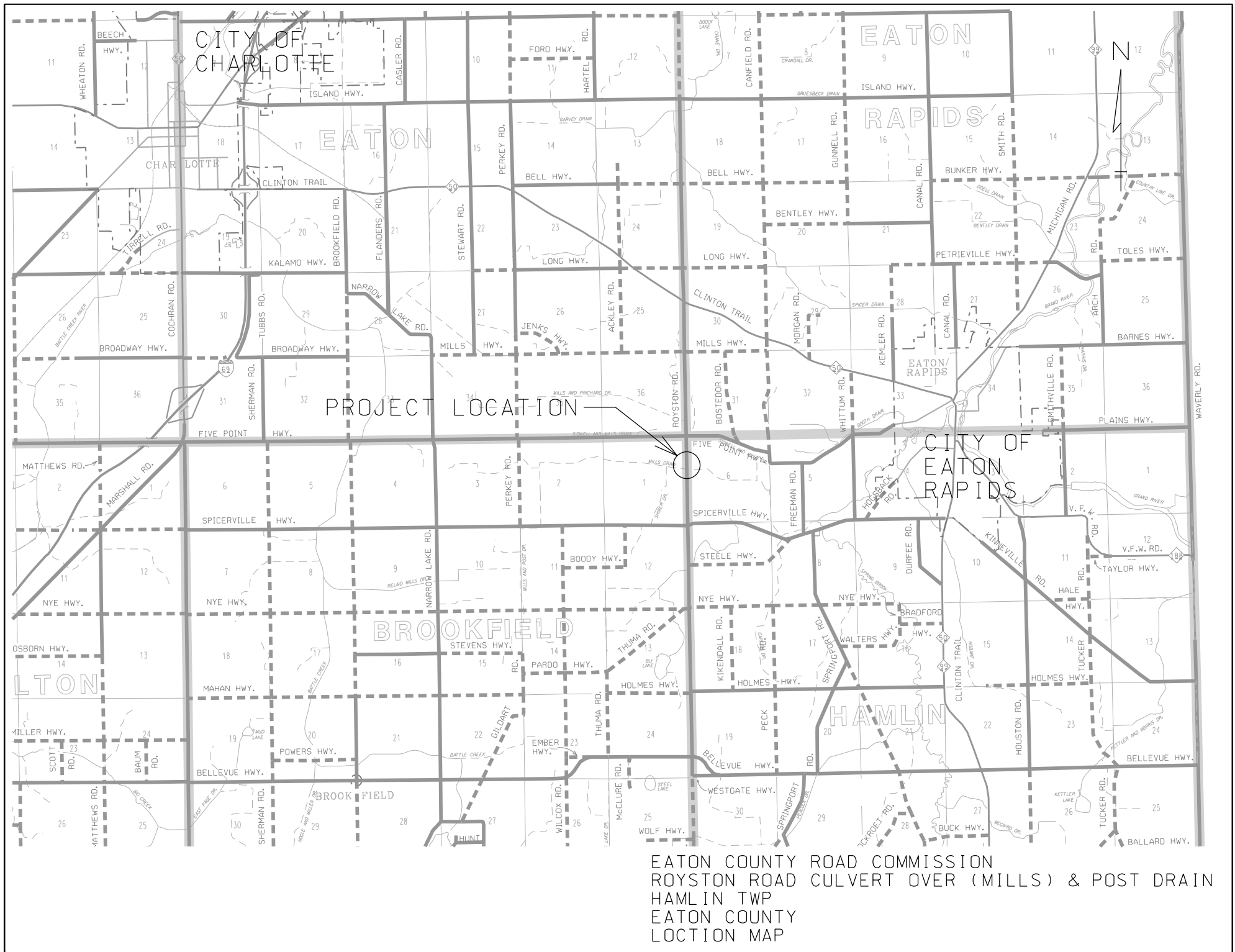
The supplier shall furnish written certification that pipe arch design as furnished will meet these specifications, together with standard assembly and installation drawings.

**SCHEDULE**

The materials shall be delivered within 6 weeks of ordering. We expect to order the materials by August 28, 2019. Supplier will be responsible for contacting the contractor a minimum 48 hours prior to delivery to the site to coordinate unloading of the culvert materials with the contractor.

**MEASUREMENT AND PAYMENT**

A Payment will be made within 30 days after all culvert materials have been delivered to the site. Materials shall include all plates, bolts, nuts, washers, headwall, wingwall, caps, ribs, braces, and any other materials necessary for a complete assembly of the culvert.





## NOTICE OF AUTHORIZATION

**Permit Number: WRP016043 v. 1**  
**Site Name: 23-Royston Culvert over (Mills) & Post Drain**

**Date Issued: April 22, 2019**  
**Expiration Date: April 22, 2024**

The Michigan Department of Environment, Great Lakes, and Energy (EGLE), Water Resources Division, P.O. Box 30458, Lansing, Michigan 48909-7958, under provisions of the Natural Resources and Environmental Protection Act, 1994 PA 451, as amended; specifically:

- Part 31, Floodplain Regulatory Authority of the Water Resources Protection.
- Part 301, Inland Lakes and Streams.
- Part 303, Wetlands Protection.
- Part 315, Dam Safety.
- Part 323, Shorelands Protection and Management.
- Part 325, Great Lakes Submerged Lands.
- Part 353, Sand Dunes Protection and Management.

**Authorized activity:**

**Remove the existing structure at the Royston Road crossing of Mills & Post Drain. Install a single, 54 foot long, 16.5 foot span by 6.7 foot rise aluminum box culvert with a recessed invert. Place road fill and riprap slope protection.**

To be conducted at property located in: Eaton County, Waterbody: Mills & Post Drain  
Section 01, Town 01N, Range 04W, Hamlin Township

Permittee:  
Mathew Hannahs  
Eaton County Road Commission  
1112 Reynolds Road  
Charlotte, Michigan 48813

Issued By:

  
Holly Vickers  
Transportation Review Unit  
Water Resources Division  
616-295-2787

*This notice must be displayed at the site of work.  
Laminating this notice or utilizing sheet protectors is recommended.*  
Please refer to the above permit number with any questions or concerns.

**DEQ-WRD**  
**WRP016043 v1.0**  
**Approved**  
**Issued On:04/22/2019**  
**Expires On:04/22/2024**



**MICHIGAN DEPARTMENT OF ENVIRONMENTAL QUALITY  
WATER RESOURCES DIVISION PERMIT**

**Issued To:**

**Eaton County Road Commission  
1112 Reynolds Road  
Charlotte, Michigan 48813**

**Permit No: WRP016043 v.1  
Submission No.: HNM-XQ7S-98WXX  
Site Name: 23-Royston Culvert over (Mills) & Post Drain  
Issued: April 22, 2019  
Revised:  
Expires: April 22, 2024**

This permit is being issued by the Michigan Department of Environmental Quality (MDEQ), Water Resources Division (WRD), under the provisions of the Natural Resources and Environmental Protection Act, 1994 PA 451, as amended (NREPA); specifically:

- |   |   |
|---|---|
| <input checked="" type="checkbox"/> Part 301, Inland Lakes and Streams                                    | <input type="checkbox"/> Part 323, Shorelands Protection and Management |
| <input type="checkbox"/> Part 303, Wetlands Protection  | <input type="checkbox"/> Part 325, Great Lakes Submerged Lands          |
| <input type="checkbox"/> Part 315, Dam Safety   | <input type="checkbox"/> Part 353, Sand Dunes Protection and Management |
| <input checked="" type="checkbox"/> Part 31, Water Resources Protection (Floodplain Regulatory Authority) |   |

Permission is hereby granted, based on permittee assurance of adherence to State of Michigan requirements and permit conditions, to:

**Authorized Activity:**

**Remove the existing structure at the Royston Road crossing of Mills & Post Drain. Install a single, 54 foot long, 16.5 foot span by 6.7 foot rise aluminum box culvert with a recessed invert. Place road fill and riprap slope protection.**

Waterbody Affected: Mills & Post Drain  
Property Location: Eaton County, Hamlin Township, Town/Range/Section 01N04W01

**Authority granted by this permit is subject to the following limitations:**

- A. Initiation of any work on the permitted project confirms the permittee's acceptance and agreement to comply with all terms and conditions of this permit.
- B. The permittee, in exercising the authority granted by this permit, shall not cause unlawful pollution as defined by Part 31 of the NREPA.
- C. This permit shall be kept at the site of the work and available for inspection at all times during the duration of the project or until its date of expiration.
- D. All work shall be completed in accordance with the approved plans and specifications submitted with the application and/or plans and specifications attached to this permit.
- E. No attempt shall be made by the permittee to forbid the full and free use by the public of public waters at or adjacent to the structure or work approved.

**DEQ-WRD  
WRP016043 v1.0  
Approved  
Issued On:04/22/2019  
Expires On:04/22/2024**

- F. It is made a requirement of this permit that the permittee give notice to public utilities in accordance with 2013 PA 174 (Act 174) and comply with each of the requirements of Act 174.
- G. This permit does not convey property rights in either real estate or material, nor does it authorize any injury to private property or invasion of public or private rights, nor does it waive the necessity of seeking federal assent, all local permits, or complying with other state statutes.
- H. This permit does not prejudice or limit the right of a riparian owner or other person to institute proceedings in any circuit court of this state when necessary to protect his rights.
- I. Permittee shall notify the MDEQ within one week after the completion of the activity authorized by this permit by completing and forwarding the attached preaddressed postcard to the office addressed thereon.
- J. This permit shall not be assigned or transferred without the written approval of the MDEQ.
- K. Failure to comply with conditions of this permit may subject the permittee to revocation of permit and criminal and/or civil action as cited by the specific state act, federal act, and/or rule under which this permit is granted.
- L. All dredged or excavated materials shall be disposed of in an upland site (outside of floodplains, unless exempt under Part 31 of the NREPA, and wetlands).
- M. In issuing this permit, the MDEQ has relied on the information and data that the permittee has provided in connection with the submitted application for permit. If, subsequent to the issuance of a permit, such information and data prove to be false, incomplete, or inaccurate, the MDEQ may modify, revoke, or suspend the permit, in whole or in part, in accordance with the new information.
- N. The permittee shall indemnify and hold harmless the State of Michigan and its departments, agencies, officials, employees, agents, and representatives for any and all claims or causes of action arising from acts or omissions of the permittee, or employees, agents, or representative of the permittee, undertaken in connection with this permit. The permittee's obligation to indemnify the State of Michigan applies only if the state: (1) provides the permittee or its designated representative written notice of the claim or cause of action within 30 days after it is received by the state, and (2) consents to the permittee's participation in the proceeding on the claim or cause of action. It does not apply to contested case proceedings under the Administrative Procedures Act, 1969 PA 306, as amended, challenging the permit. This permit shall not be construed as an indemnity by the State of Michigan for the benefit of the permittee or any other person.
- O. Noncompliance with these terms and conditions and/or the initiation of other regulated activities not specifically authorized shall be cause for the modification, suspension, or revocation of this permit, in whole or in part. Further, the MDEQ may initiate criminal and/or civil proceedings as may be deemed necessary to correct project deficiencies, protect natural resource values, and secure compliance with statutes.
- P. If any change or deviation from the permitted activity becomes necessary, the permittee shall request, in writing, a revision of the permitted activity from the MDEQ. Such revision request shall include complete documentation supporting the modification and revised plans detailing the proposed modification. Proposed modifications must be approved, in writing, by the MDEQ prior to being implemented.
- Q. This permit may be transferred to another person upon written approval of the MDEQ. The permittee must submit a written request to the MDEQ to transfer the permit to the new owner. The new owner must also submit a written request to the MDEQ to accept transfer. The new owner must agree, in writing, to accept all conditions of the permit. A single letter signed by both parties that includes all the above information may be provided to the MDEQ. The MDEQ will review the request and, if approved, will provide written notification to the new owner.
- R. Prior to initiating permitted construction, the permittee is required to provide a copy of the permit to the contractor(s) for review. The property owner, contractor(s), and any agent involved in exercising the permit are held responsible to ensure that the project is constructed in accordance with all drawings and specifications. The contractor is required to provide a copy of the permit to all subcontractors doing work authorized by the permit.
- S. Construction must be undertaken and completed during the dry period of the wetland. If the area does not dry out, construction shall be done on equipment mats to prevent compaction of the soil.
- T. Authority granted by this permit does not waive permit requirements under Part 91, Soil Erosion and Sedimentation Control, of the NREPA, or the need to acquire applicable permits from the County Enforcing Agent (CEA).

- U. Authority granted by this permit does not waive permit requirements under the authority of Part 305, Natural Rivers, of the NREPA. A Natural Rivers Zoning Permit may be required for construction, land alteration, streambank stabilization, or vegetation removal along or near a natural river.
- V. The permittee is cautioned that grade changes resulting in increased runoff onto adjacent property is subject to civil damage litigation.
- W. Unless specifically stated in this permit, construction pads, haul roads, temporary structures, or other structural appurtenances to be placed in a wetland or on bottomland of the water body are not authorized and shall not be constructed unless authorized by a separate permit or permit revision granted in accordance with the applicable law.
- X. For projects with potential impacts to fish spawning or migration, no work shall occur within fish spawning or migration timelines (i.e., windows) unless otherwise approved in writing by the Michigan Department of Natural Resources (MDNR), Fisheries Division.
- Y. Work to be done under authority of this permit is further subject to the following special instructions and specifications:
  1. All work shall be completed in accordance with plans attached and kept on file with the MDEQ's, WRD, Transportation Review Unit.
  2. Authority granted by this permit does not waive compliance requirements under Part 91, Soil Erosion and Sedimentation Control, of the NREPA. Any discharge of sediment into waters of the state and/or off the road right-of-way is a violation of this permit, Part 91, and Part 31, Water Resources Protection, of the NREPA. A violation of these parts subjects the permittee to potential fines and penalties.
  3. This permit does not authorize or sanction work that has been completed in violation of applicable federal, state, or local statutes.
  4. The permittee is responsible for acquiring all necessary easements or rights-of-way before commencing any work authorized by this permit. All construction operations relating to or part of this project shall be confined to the existing right-of-way limits or other acquired easements.
  5. Temporary soil erosion and sedimentation control measures shall be installed before or upon commencement of the earth change and shall be maintained daily. Temporary soil erosion and sedimentation control measures shall be maintained until permanent soil erosion and sedimentation control measures are in place and the area is stabilized. Permanent soil erosion and sedimentation control measures for all slopes, channels, ditches, or any disturbed area shall be installed within five (5) calendar days after final grading or the final earth change has been completed.
  6. All raw areas in uplands resulting from the permitted construction activity shall be effectively stabilized with sod and/or seed and mulch (or other technology specified by this permit or project plans) in a sufficient quantity and manner to prevent erosion and any potential siltation to surface waters or wetlands. Temporary stabilization measures shall be installed before or upon commencement of the permitted activity and shall be maintained until permanent measures are in place. Permanent measures shall be in place within five (5) days of achieving final grade.
  7. All raw earth within 100 feet of a lake, stream, or wetland that is not brought to final stabilization by the end of the active growing season shall be temporarily stabilized with mulch blankets in accordance with the following dates: September 20<sup>th</sup> for the Upper Peninsula, October 1<sup>st</sup> for the Lower Peninsula north of US-10, and October 10<sup>th</sup> for the Lower Peninsula south of US-10.
  8. This permit placard shall be kept posted at the work site, in a prominent location at all times for the duration of the project, or until permit expiration.



9. This permit is being issued for the maximum time allowed and no extensions of this permit will be granted. Initiation of the construction work authorized by this permit indicates the permittee's acceptance of this condition. The permit, when signed by the MDEQ, will be for a five-year period beginning at the date of issuance. If the project is not completed by the expiration date, a new permit must be sought.
10. All dredge/excavated spoils including organic and inorganic soils, vegetation, and other material removed shall be placed on upland (non-wetland, non-floodplain or non-bottomland), prepared for stabilization, revegetated and reseeded with native Michigan species appropriate to the site, and mulched in such a manner so as to prevent and ensure against erosion of any material into any waterbody, wetland, or floodplain.
11. All riprap shall be properly sized and graded based on wave action and velocity and shall consist of clean natural field stone or rock (free of paint, soil or other fines, asphalt, soluble chemicals, or organic material).
12. During removal or repair of the existing structure, every precaution shall be taken to prevent debris from entering any watercourse. Any debris reaching the watercourse during the removal and/or reconstruction of the structure shall be immediately retrieved from the water. All material shall be disposed of in an acceptable manner consistent with local, state, and federal regulations.
13. Prior to the removal of the existing structures, cofferdams of steel sheet piling, gravel bags, clean stone, coarse aggregate, concrete or other acceptable barriers shall be installed to isolate all construction activity from the water. The barriers shall be maintained in good working order throughout the duration of the project. Upon project completion, the accumulated materials shall be removed and disposed of at an upland site.
14. All cofferdam and temporary steel sheet pile shall then be removed in its entirety, unless specifically shown to be left in plan on the accepted plans. Cofferdam and sheet pile that is left in place shall be cut off at the elevation shown on the plans and shall be a minimum of one foot below the stream bottom.
15. The existing structure shall be kept open to pass the stream flow during removal of the existing road fill.
16. The placement of the new culvert and the initial placement of fill in the stream shall be done immediately after removal of the existing culvert. The placement shall be conducted in such a manner that all flow is immediately passed through the new culverts, allowing the major placement of fill to be done in the dry or in still water where erosion and sedimentation will be minimized. The fill material used in this initial placement shall be washed gravel, coarse aggregate, or rock and shall be placed at both ends of the culvert to a level above normal water level before backfill material is placed.
17. The culvert shall be installed to align with the center line of the existing stream at both the inlet and outlet ends and must be recessed into the stream bed to provide a natural channel substrate throughout the structure, as shown on the approved plans.
18. Road fill side slopes shall not be steeper than 1-on-2 (1 vertical to 2 horizontal) except where headwalls of reinforced concrete, mortar masonry, dry masonry, or other acceptable methods are used.
19. Road fill side slopes terminating in the stream and any raw streambanks resulting from the construction shall be stabilized with temporary measures in accordance with appropriate Best Management Practices based on site conditions, and if necessary, may be ripped extending above the ordinary high water mark, before or upon commencement of the permitted activity. Temporary stabilization measures shall be maintained until permanent measures are in place.



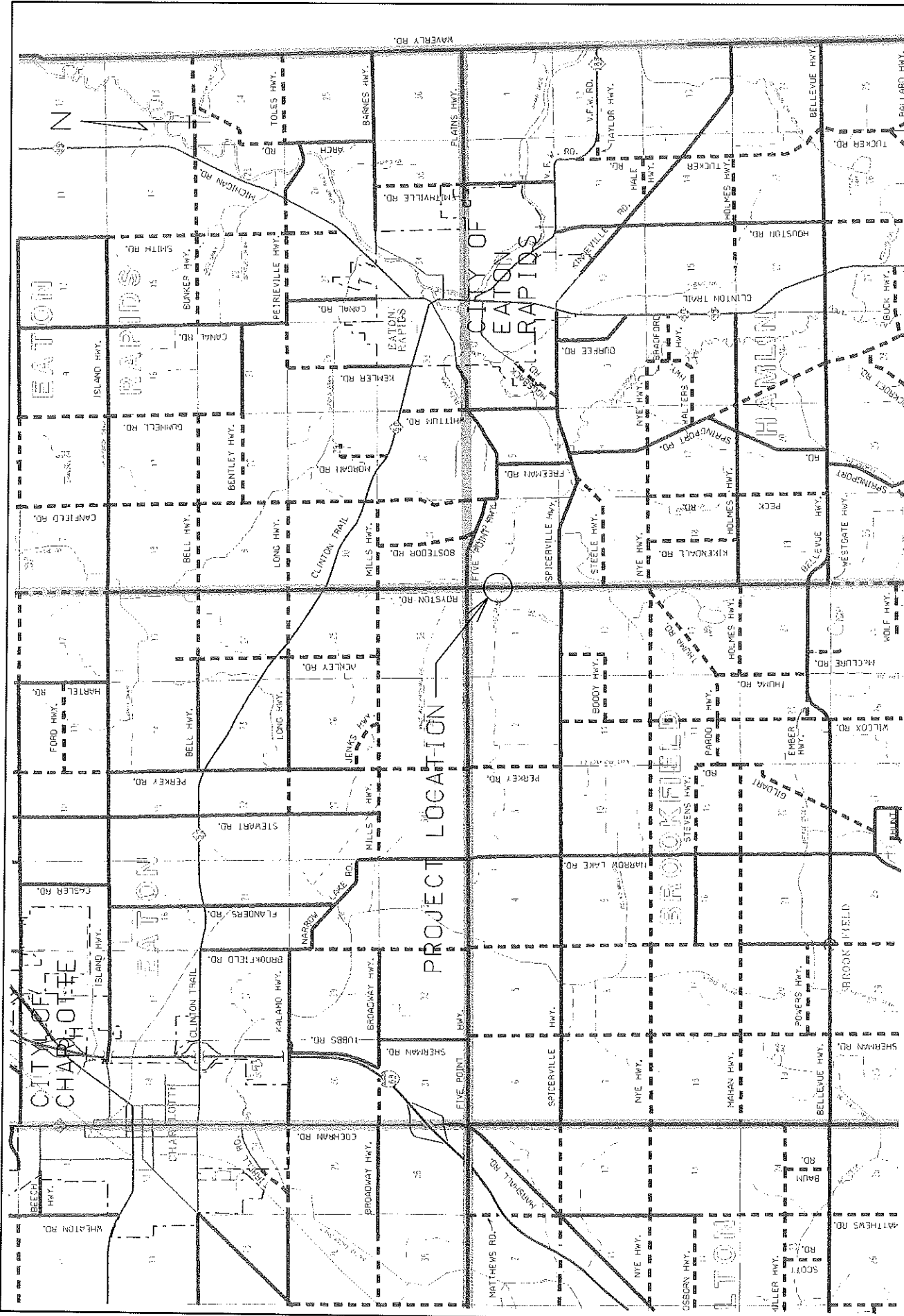
20. All other road fill slopes, ditches, and other raw areas draining directly to the stream may be protected with riprap, sod and/or seed and mulch as may be necessary to provide effective erosion protection. The placement of riprap shall be limited to the minimum necessary to ensure proper stabilization of the side slopes and fill in the immediate vicinity of the structure.
21. If the project, or any portion of the project, is stopped and lies incomplete for any length of time other than that encountered in a normal work week, every precaution shall be taken to protect the incomplete work from erosion, including the placement of temporary gravel bag riprap, temporary seed and mulch, or other acceptable temporary protection.
22. No work shall be done in the stream during periods of above-normal flows except as necessary to prevent erosion.
23. To avoid disturbance of Northern long-eared bat, which is federally listed as a threatened species, or Indiana bat, which is federally listed as an endangered species, any tree larger than 3 inches in diameter shall not be cut between April 1 and September 30 of any year.
- 24. Prior to the start of construction, all adjacent non-work wetland areas shall be protected by properly trenched sedimentation barrier to prevent sediment from entering the wetland. Orange construction fencing shall be installed as needed to prohibit construction personnel and equipment from entering or performing work in these areas. Fence shall be maintained daily throughout the construction process. Upon project completion, the accumulated materials shall be removed and disposed of at an upland site, the sedimentation barrier shall then be removed in its entirety and the area restored to its original configuration and cover.**
- 25. Stormwater shall not directly outlet to the stream.**

Issued By:



Holly Vickers  
Transportation Review Unit  
Water Resources Division  
616-295-2787

cc: Hamlin Township Clerk  
Eaton County Drain Commissioner  
Eaton County CEA  
Carol Valor, MDEQ, WRD  
Laura Mathews, MDEQ, WRD  
Brian Gunderman, MDNR, Fisheries  
Mary Vanderlaan, MDEQ, WRD



EATON COUNTY ROAD COMMISSION  
 ROYSTON ROAD CULVERT OVER (MILLS) & POST DRAIN  
 HAMLIN TWP  
 EATON COUNTY  
 LOCATION MAP

DEQ-WRI  
 WRP016043-1.0  
 Approved  
 Issued On:04/22/2019  
 Expires On:04/22/2024

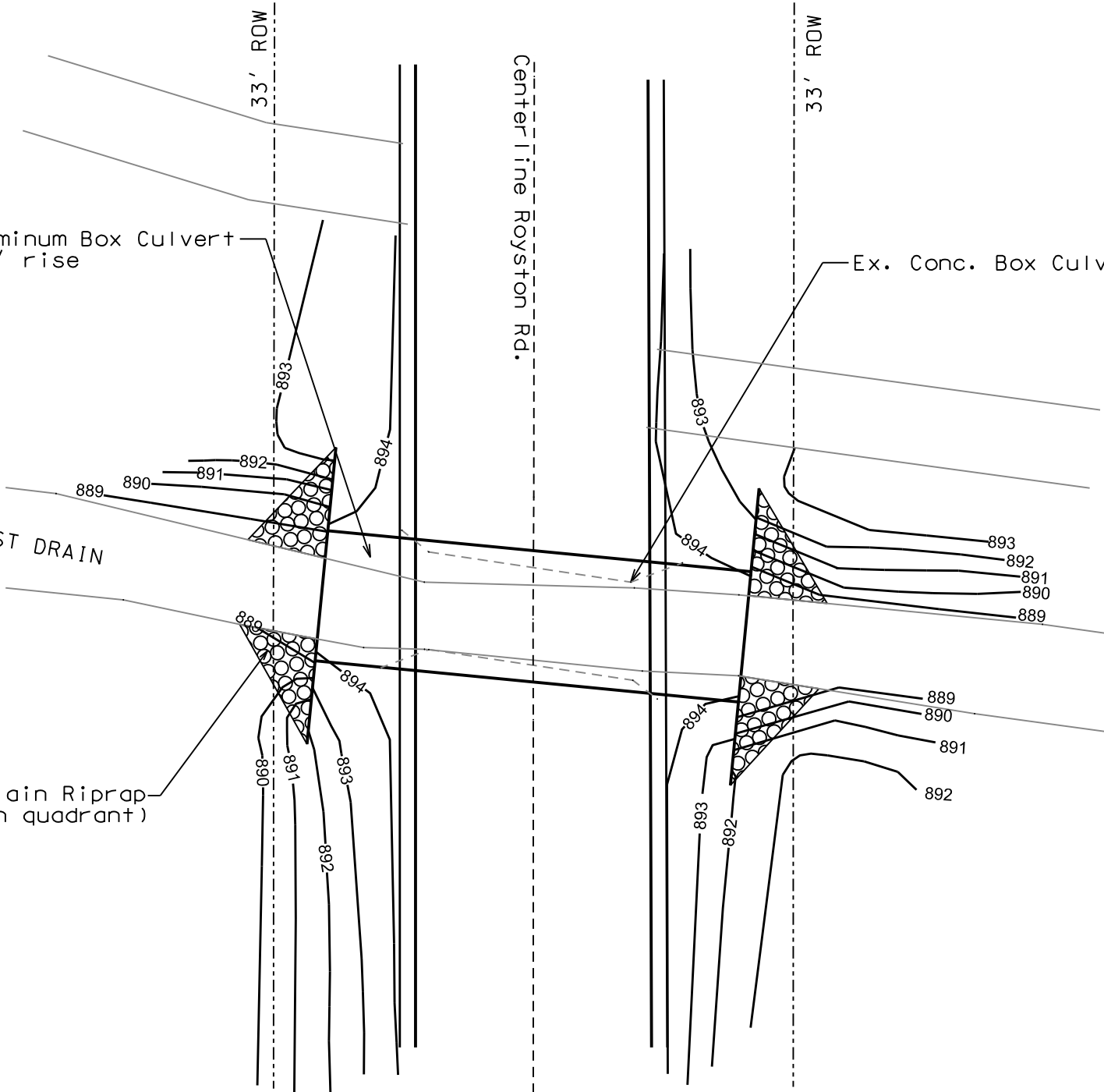
Location Map.dgn 02/28/2019 3:47:55 PM

Proposed 54' Aluminum Box Culvert  
16.5' span, 6.67' rise

Ex. Conc. Box Culvert

MILLS AND POST DRAIN

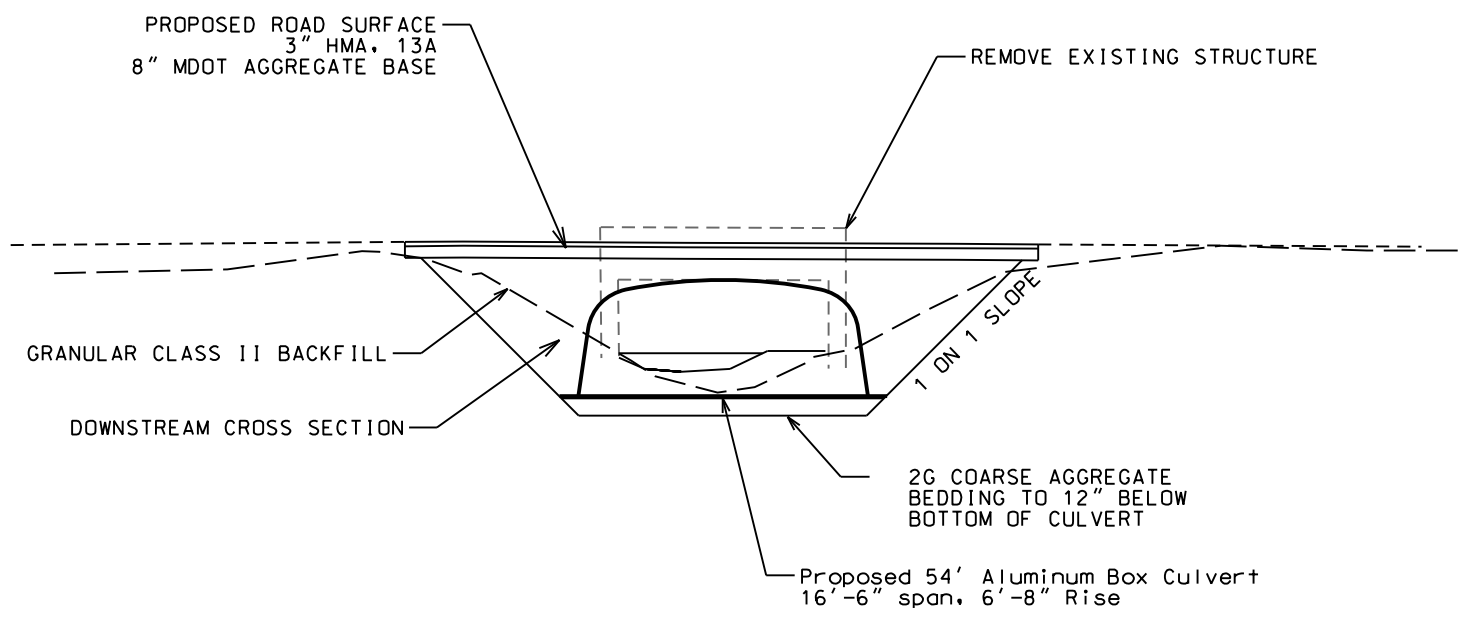
Place 8 SYD Plain Riprap  
(TYP each quadrant)



PLAN VIEW

Royston Road Structure Replacement  
Hamlin Township, Eaton County, MI  
Scale: 1"=20'

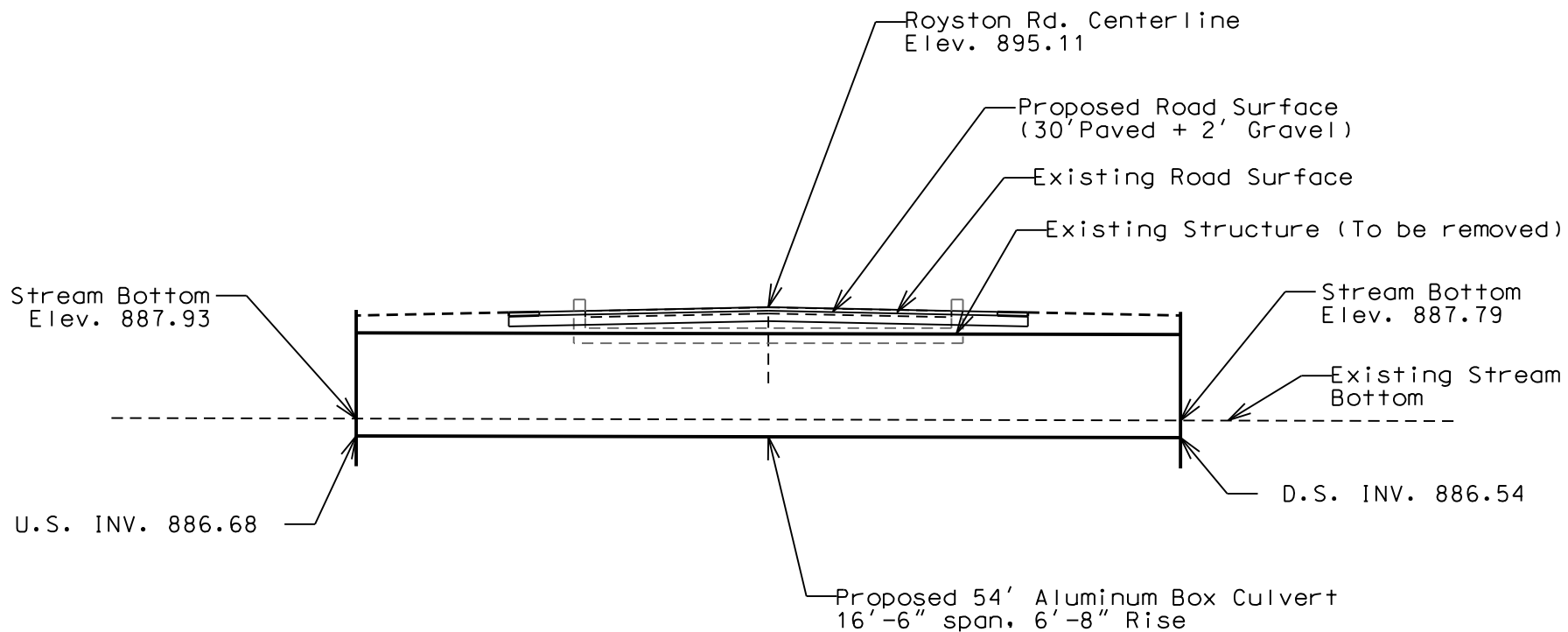
DEQ-WRD  
WRP016043 v1.0  
Approved  
14708/2019  
Expires On:04/22/2024



CULVERT CROSS-SECTION VIEW  
 Royston Road Structure Replacement  
 Hamlin Township, Eaton County, MI  
 Scale: 1"=10'

04/08/19

**DEQ-WRD**  
**WRP016043 v1.0**  
**Approved**  
**Issued On:04/22/2019**  
**Expires On:04/22/2024**



CULVERT PROFILE VIEW  
 Royston Road Structure Replacement  
 Hamlin Township, Eaton County, MI  
 Scale: 1"=10'

04/08/19

DEQ-WRD  
 WRP016043 v1.0  
 Approved  
 Issued On:04/22/2019  
 Expires On:04/22/2024